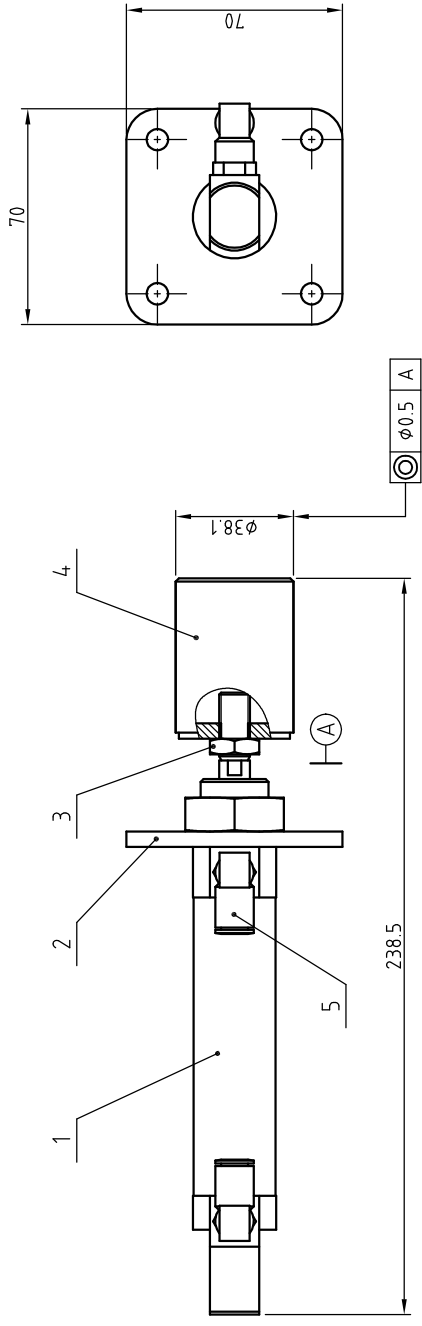


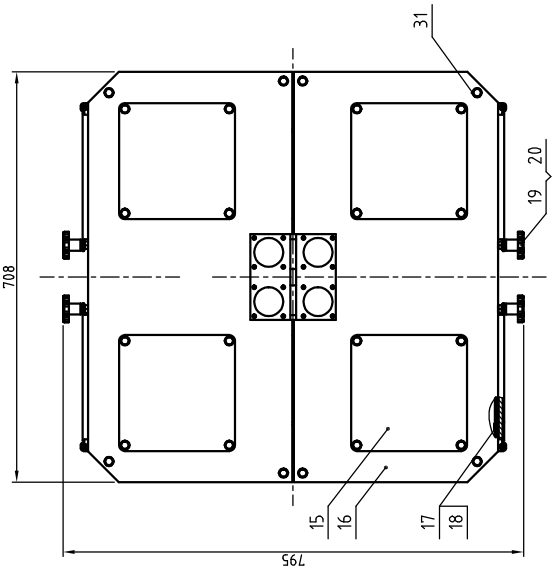
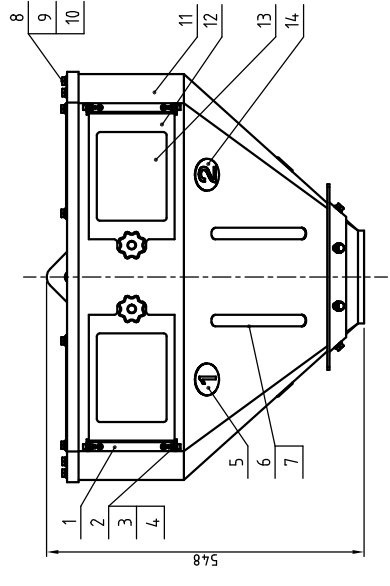
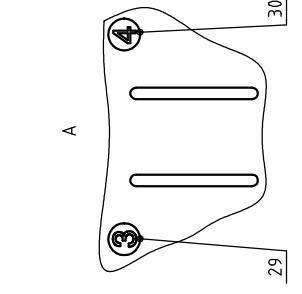
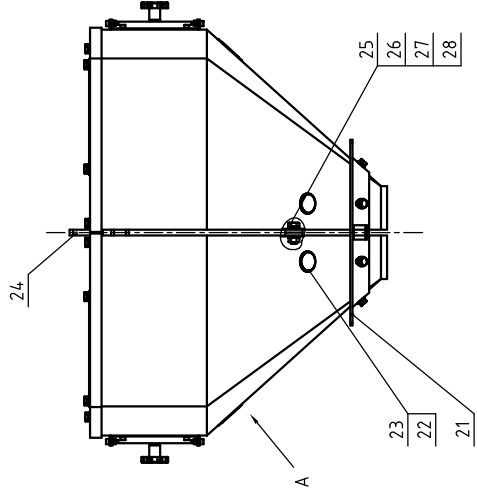
13	YE31256010000	Cylinder DSNU-25-60-P-A	Assembly	1	FESTO
12	YW64101200400	Hexagon nut M10×1.25	6	1	
11	YW64000600100	Hexagon nut M6	6	2	
10	YW66061200000	Flat gasket 6	100HV	4	
9	YW61062000000	Inner hex. screw M6×20	6.8	2	
8	YW66822200000	Flat gasket 8	100HV	4	
7	YW64000800100	Hexagon nut M8	6	4	
6	BH10404200010	Discharge valve shaft	SUS201	2	
5	-	Discharge valve shut-off plate	SUS201	1	
4	YE31001000000	Y-type with pin SG-M10×1.25	Assembly	1	FESTO
3	SGB-40-4-C-01	Pneumatic discharge valve welding drawing	Assembly	1	
2	YW80061800300	Speed regulating connector 1/8-φ6	Assembly	2	
1	SGB-40-4-C-04	Reinforced plate	SUS201	2	
No.	Material number	Name	Mat.	Num.	Remarks

Title		SGB-40-4		Drawing no.	
Pneumatic Discharge Valve Assembly					
Draw	Ver.	App.	by	Date	
Desi.		Check			
App		Mod.			
Before	After	Mark	Mod.	Date	
Scale	Num.	Surface req.		Mat. No.	
1:1	1	Surface req.		Mat. No.	

SHINI
 信易電熱機械股份有限公司
 Shini Plastics Technologies, Inc.



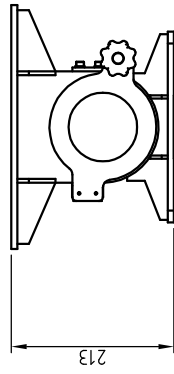
5	YW800061800200	Quick pipe connector APL6-1/8	Assembly	2	
4	-	Metering valve welding drawing	Assembly	1	
3	YW64-101200400	Hex. thin nut M10x125	6	1	
2	-	Metering valve cylinder mount plate	SUS201	1	
1	YE31256010000	Metering valve cylinder DSNU-25-60-P-A	Assembly	1	
No.		Material number	Name	Mat.	Num. Remarks
Title		Drawing no.		Scale	Num.
Main		Metering Valve Assembly			Mat.
Mark	Before Mark	After Mod.	Modified by	Date	App
		Draw.	Ver.		
		Desi	App.		
		Check	by		
		App	Date		
		 信易電熱機械股份有限公司 Shini Plastics Technologies, Inc.			
		Surface req.		Mat No.	



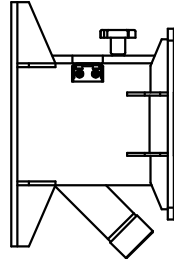
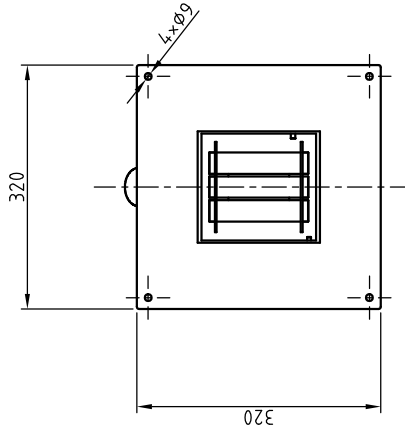
No.	Material number	Name	Mat.	Num	Remarks
31	YW60816500000	Small counterlock head nut GB/T 1880.3 M8x6.5	SUS	28	
30	YP31003300400	SGB hopper alu. cast circular trademark No.4	Assembly	1	
29	YP31003300300	SGB hopper alu. cast circular trademark No.3	Assembly	1	
28	YW64101000000	Anti-loose nut M10		6	
27	YW66102000100	Flat gasket A grade GB/T197.1 10(11x20x2)-Longline		12	
26	YW65100000000	Standard spring gasket GB/T193 10-Longline		6	
25	YW60103000200	Hex. screw ball GB/T15783 M10x30-12.9-Longline		6	
24	-	Hanging plate	SPH10.0	1	
23	YR30301500000	Material level sensor plastic nut M30x15	ABS	4	
22	BR30008400050	Material level sensor plug SGB-2000-4-D-09	Acrylic	4	
21	-	Storage hopper mount plate	SPH4.0	1	
20	YW64000800100	Anti-loose nut M8	Assembly	4	
19	YR40083500000	Star handle B M8x35		4	
18	YW66061300000	Flat gasket A grade GB/T197.1 6-Longline		16	
17	YW64000600200	Anti-loose nut M6		16	
16	-	Hopper cover	SUS201	4	
15	YW09202000000	Square plate 200x200	SUS201	4	
14	YP31003300200	SGB hopper alu. cast circular trademark No.2	Assembly	1	
13	BR90204400010	Cleaning door acryl plate	Acrylic	4	
12	-	Cleaning door	SPCC2.0	4	
11	-	Hopper welding drawing	SUS201	2	
10	YW66081600000	Flat gasket A grade GB/T197.1 8.4x16x1.6-Longline		40	
9	YW65008001000	Standard spring gasket GB/T193 8-Longline		32	
8	YW60082000200	Hex. screw ball GB/T15783 M8x20-8.8-70-Longline		32	
7	YR20162600100	O-Type seal ring 106x2.65	Fluororubber	4	
6	BR90380400010	Visual window	PC	4	borrow
5	YP31003300100	SGB hopper alu. cast circular trademark No.1	Assembly	1	
4	YW64000500000	Anti-loose nut M5		16	
3	YW66051000100	Flat gasket A grade GB/T197.1 5-A2-70(SUS)		32	
2	YW60516340000	Hex. screw ball GB/T170.1 M5x16-A2-70(SUS)		16	
1	-	Cleaning door stripe	SPCC2.0	4	

Title		Drawing no.		Scale	No.
SGB-200-4		Hopper Assembly			
Dra.		Ver.	App. by	Surface req.	Mat.
Desi.	Check	App.	Date	Mat No	
Mod. by	After Mod.	Before Mod.	Mark		

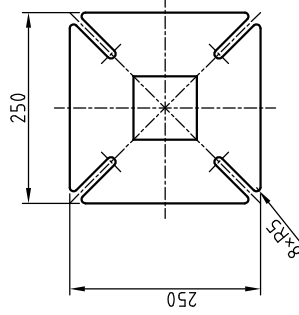




A

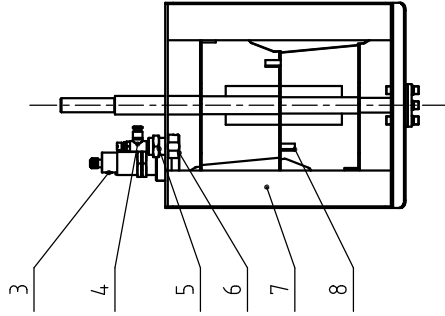
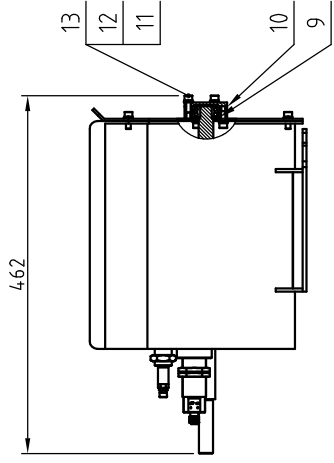
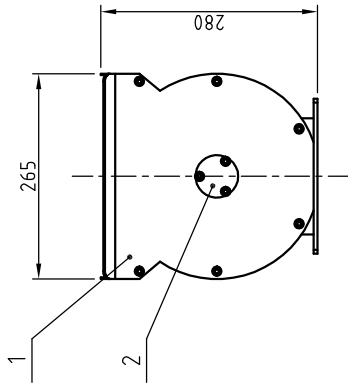


A



15	YW66051000100	Flat gasket 5	100HV	4	
14	YW61051000100	Hex. screw bolt M5x10	6.8	4	
13	BL01005020020	Magnetic base hinge	Assembly	1	
12	YW64000800100	Hex. nut M8	6	1	
11	YW66081600000	Flat gasket 8	100HV	2	
10	YR40083500000	Star handle B M8x35	Assembly	1	
9	BH13204300010	Discharge pipe cover	LY12	1	
8	-	Magnetic base assembly	SPH5.0	1	
7	YW66061300000	Flat gasket 6	100HV	2	
6	YW61061600000	Inner hex. screw M6x16	6.8	2	
5	BY10310000050	Hopper Magnet	Assembly	1	
4	YW01040000000	Magnetic base spring	Q235A	1	
3	YW70406000000	Rein. glass 4,00-600kg	Rein. glass	1	
2	BL22204200220	Magnetic base door	SPH10.0	1	
1	-	Magnetic base welding drawing	Assembly		
No.	Material number	Name	Mat.	Num.	Remarks

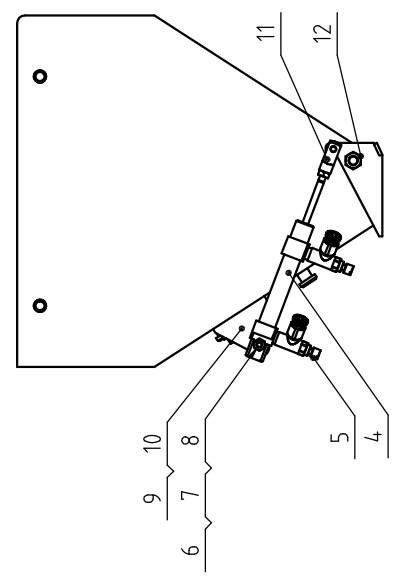
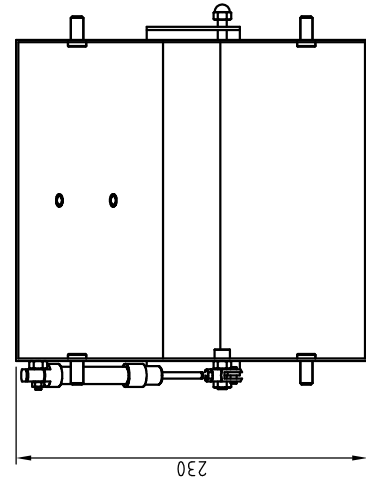
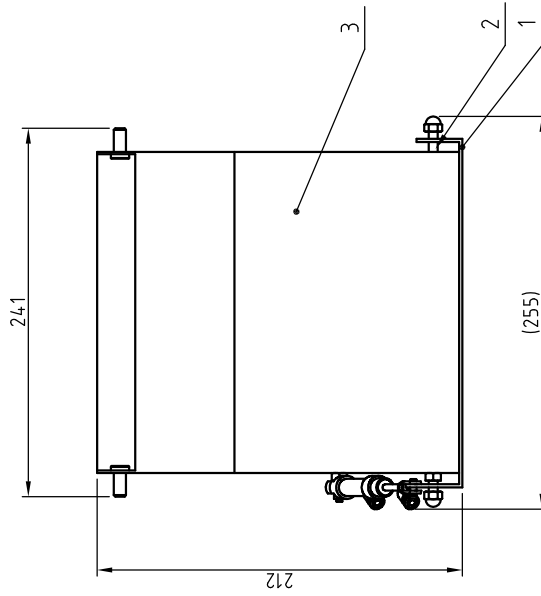
Ver.		Dra.		Title	SGB-200-4	Drawing no.	Scale	No.	
App.		Desi.		Magnetic Base Assembly Outer Drawing					
by		Check		SHINI 信义塑料科技股份有限公司 SHINI Plastics Technologies, Inc.					Surface req.
Date		App.		Mark	Before Mod.	After Mod.	Mod. by	Date	Mat. No.




13	YW65006000100	Standard spring gasket GB/T93 6-Longzine		12
12	YW66061300000	Flat gasket A grade GB/T97.1 6-Longzine		12
11	YW61061601200	Inner bearing spherical steel GB/T70.1 M6x16-12.9-Longzine		12
10	BH112004.00710	Mixing shaft base	SUS201	1
9	YW09220200000	Self-aligning ball bearing 2202E-2RS1TN9	Assembly	1 SKF
8	-	Mixing welding drawing	SUS201	1
7	-	Mixing hopper welding drawing	SUS201	1
6	BH1320001510	Air blowing nozzle	6061	1 borrow
5	BH12060703910	Copper connector M22x15	H58	1
4	YW800614.00000	Adjustable air pipe connector ASL6-1/4	Assembly	1
3	YE15508200000	Sensor KI5082-EVSO	Assembly	1 IFM
2	BL3224.0500020	Mixing bearing cover	SUS201	1
1	-	Mixing hopper cover	SUS201	1
No.	Material number	Name	Mat.	Num.

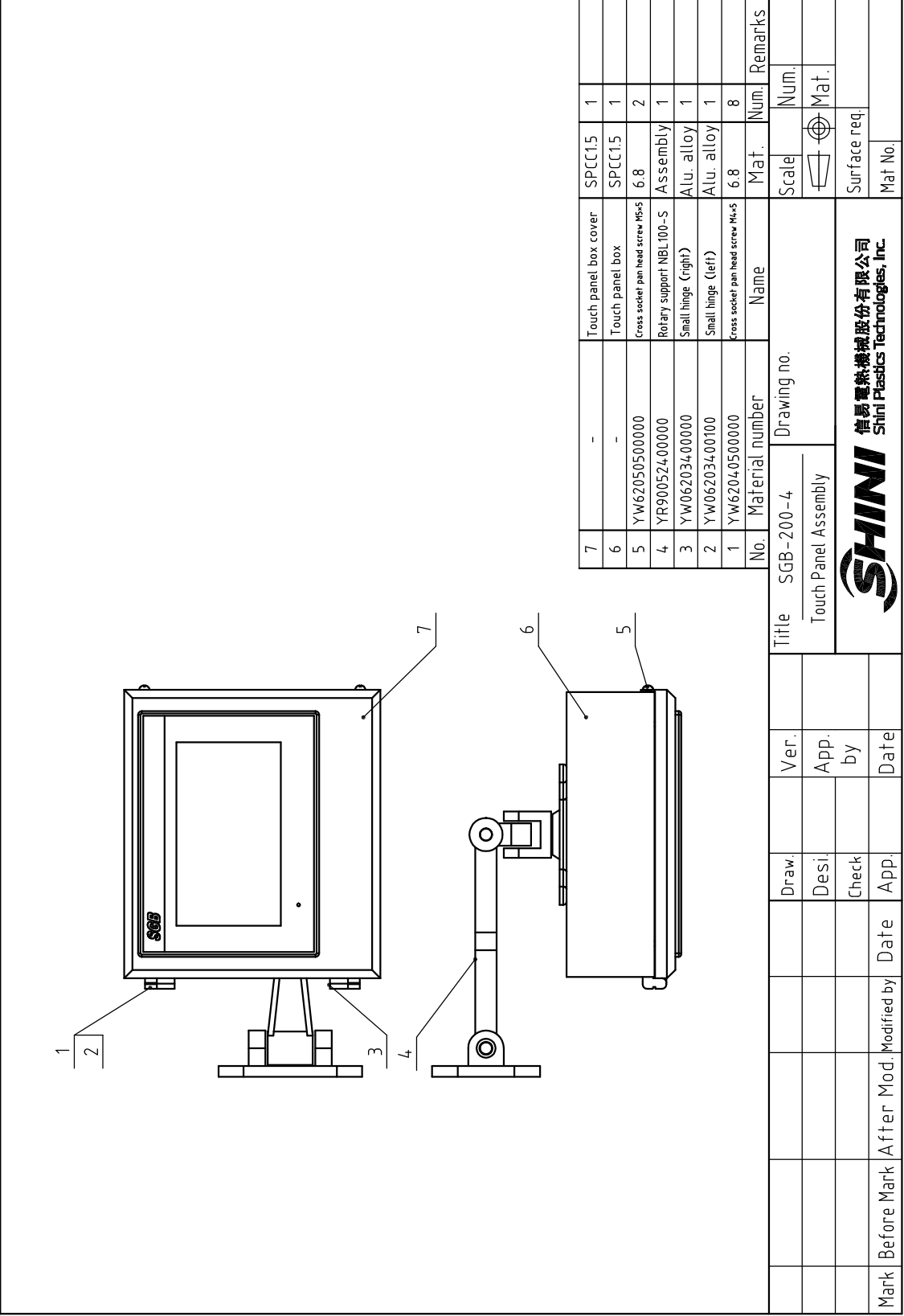
Draw	Ver.	Title SGB-200-4		Scale	Num.
Desi	App.	Mixing Hopper Assembly		Surface req.	Mat.
Check	by			Surface req.	Mat.
App	Date			Surface req.	Mat.
Mark	Before Mark	After Mod	Modified by	Date	

SHINI 信易電熱機械股份有限公司
Shini Plastics Technologies, Inc.



12	YW64006000100	Cap nut M6	Assembly	2	
11	-	Y-type screw with pin	Assembly	1	FESTO
10	YW64000600200	Anti-loose nut M6		2	
9	-	Shut-off plate cylinder mount block	SUS201	1	
8	YW64000600100	Hex. nut M6(SUS)	6.8	2	
7	YW64040700100	Non-mental hex. nut M4		1	
6	BH1124-1500010	Shut-off cylinder mount block	SUS202	1	
5	YW81050400000	Throttle valve GRLA-M5 -QS-4-RS-D	Assembly	2	FESTO
4	YE31102500000	Weighing hopper cylinder	Assembly	1	FESTO
3	-	Weighing hopper welding parts	SUS201	1	
2	YW61062000000	Inner hex. screw M6x20	6.8	1	
1	-	Weighing hopper shut-off plate	SUS201	1	
No.	Material number	Name	Mat.	Num.	Remarks

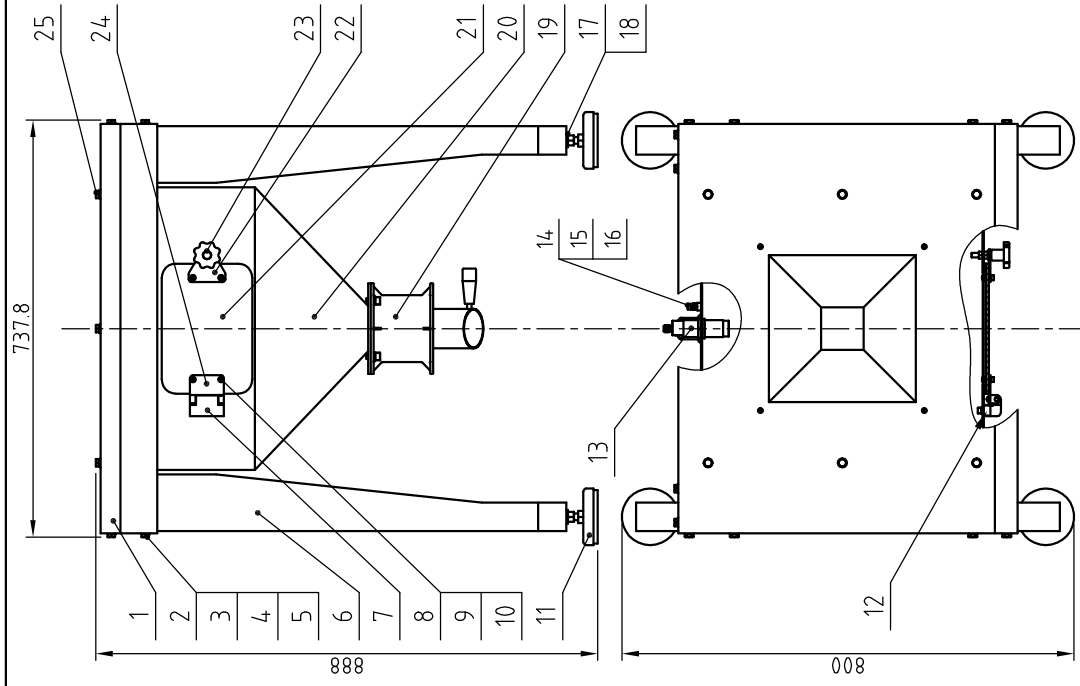
Title		SGB-200-4		Drawing no.	
Ver.					
App. by					
Date					
Draw.					
Desi.					
Check					
App.					
Mark	Before Mark	After	Mod	Date	Modified by
Scale		1:1		Mat.	
Surface req.					
Mat No.					
 SHINI 信易塑料機械股份有限公司 Shini Plastics Technologies, Inc.					




7	-	Touch panel box cover	SPCC1.5	1	
6	-	Touch panel box	SPCC1.5	1	
5	YW62050500000	Cross socket pan head screw M5x5	6.8	2	
4	YR90052400000	Rotary support NBL100-S	Assembly	1	
3	YW06203400000	Small hinge (right)	Alu. alloy	1	
2	YW06203400100	Small hinge (left)	Alu. alloy	1	
1	YW62040500000	Cross socket pan head screw M4x5	6.8	8	

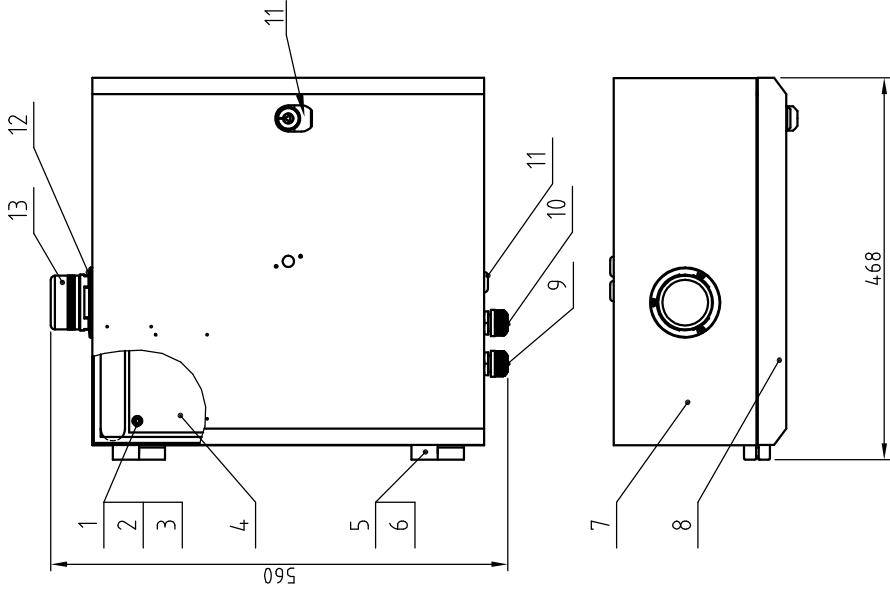
No.	Material number	Name	Mat.	Num.	Remarks
Title		Drawing no.			
SGB-200-4					
Touch Panel Assembly					
Scale					
Ver.					
App. by					
Date					
Draw					
Desi.					
Check					
App.					
Mark	Before	Mod.	After	Mod.	Date
Surface req.					
Mat No.					





25	YW60816500000	Small countersunk head rivet nut GB/T 7803.3 M8x16.5	SUS	9
24	-	Square connecting block	SUS201	1
23	YR40083500000	Star handle B M8x35	Assembly	1
22	-	Triangle connecting block	SUS201	1
21	BR90204500010	Storage hopper cleaning window acryl	Acryl	1
20	-	Storage hopper welding drawing	SUS201	1
19	BY102038000850	Euro suction box SBU-20-38S	Assembly	1
18	YW66122400000	Flat gasket A grade GB/T97.1 12-Longzine		4
17	YW64001200000	Anti-loose nut M12		4
16	YW80081400100	L-type screw connector APL8-02 1/4-ø8		1
15	BH12060703910	Copper nut M22x1.5	H58	1
14	BH13120001510	Air blowing nozzle	6061	1
13	YE15082000000	Sensor KI5082-BNKG/NI	Assembly	1
12	-	Storage hopper hinge gasket	SPH12.0	1
11	BW30012001410	Foot pad M12x100	Assembly	4
10	YW66061300000	Flat gasket A grade GB/T97.1 6-Longzine		8
9	YW64000600100	Hex.nut M6GB/T6170 M6-A2-70(SUS)		4
8	YW61062000300	Hex hexagon cylindrical screw GB/T70.1 M6x20-12.9-Longzine		4
7	YW06219100000	Large hinge CL219-1	Assembly	1
6	-	Floor stand rack welding drawing	Assembly	2
5	YW64000800100	Hex.nut M8 anti-loose		13
4	YW66081600000	Flat gasket A grade GB/T97.1 18.4x16x1.6Longzine		30
3	YW65008000100	Standard spring gasket GB/T93 8-Longzine		16
2	YW60082500100	Hex. screw bolt GB/T5783 M8x25-12.9-Longzine		20
1	-	Floor stand cover plate welding drawing	SPCC3.0	1

No.	Material number	Name	Mat.	Num.	Rem.
Title		Drawing no.			
SGB-200-4					
Floor Stand Storage Hopper Assembly					
Draw	Ver.				
Desi	App.				
Check	by				
App	Date				
Mark	Before Mark	After Mod	Date		
		 信易熱機械股份有限公司 Shini PlasTics Technologies, Inc.			
		Surface req.			
		Mat No.			



No.	Material number	Name	Mat.	Num.	Remarks
14	BL90000011520	Alarm light	Assembly	1	
13	YW6304.0600000	Gross socket pan head screw GB/T-818 M4x6-Longzine		3	
12	YW00816100000	Door lock MS816-1	Assembly	1	
11	YR30000000100	Plastic plug (large)			
10	YE67201500100	Nickel plated brass cable head LT12-M20x1.5/2.5x4C (for cable)		1	
9	YE67013500000	Cable head		1	
8	-	Control box door	SPCC15	1	
7	-	Control box	SPCC15	1	
6	YW61051000200	Gross socket pan head screw-H type GB/T-818 M5x10-Longzine		8	
5	YW062031004.00	Large hinge (left)	Alu. alloy	2	
4	-	Elec. mount plate	SPCC15	1	
3	YW66061300000	Flat gasket A grade GB/T97.1 6-Longzine		8	
2	YW65006000100	Standard spring gasket GB/T93 6-Longzine		4	
1	YW64.000600200	Hex.nut M6 anti-loose		6	

Mark	Before	Mark	After	Mod.	Date	App.	by	Date

Title		SGB-200-4		Drawing no.	
Control Box Assembly					
Scale		1:1		Mat.	
Surface req.				Mat. No.	

		信易電熱機械股份有限公司 Shini Plastics Technologies, Inc.	
--	--	---	--